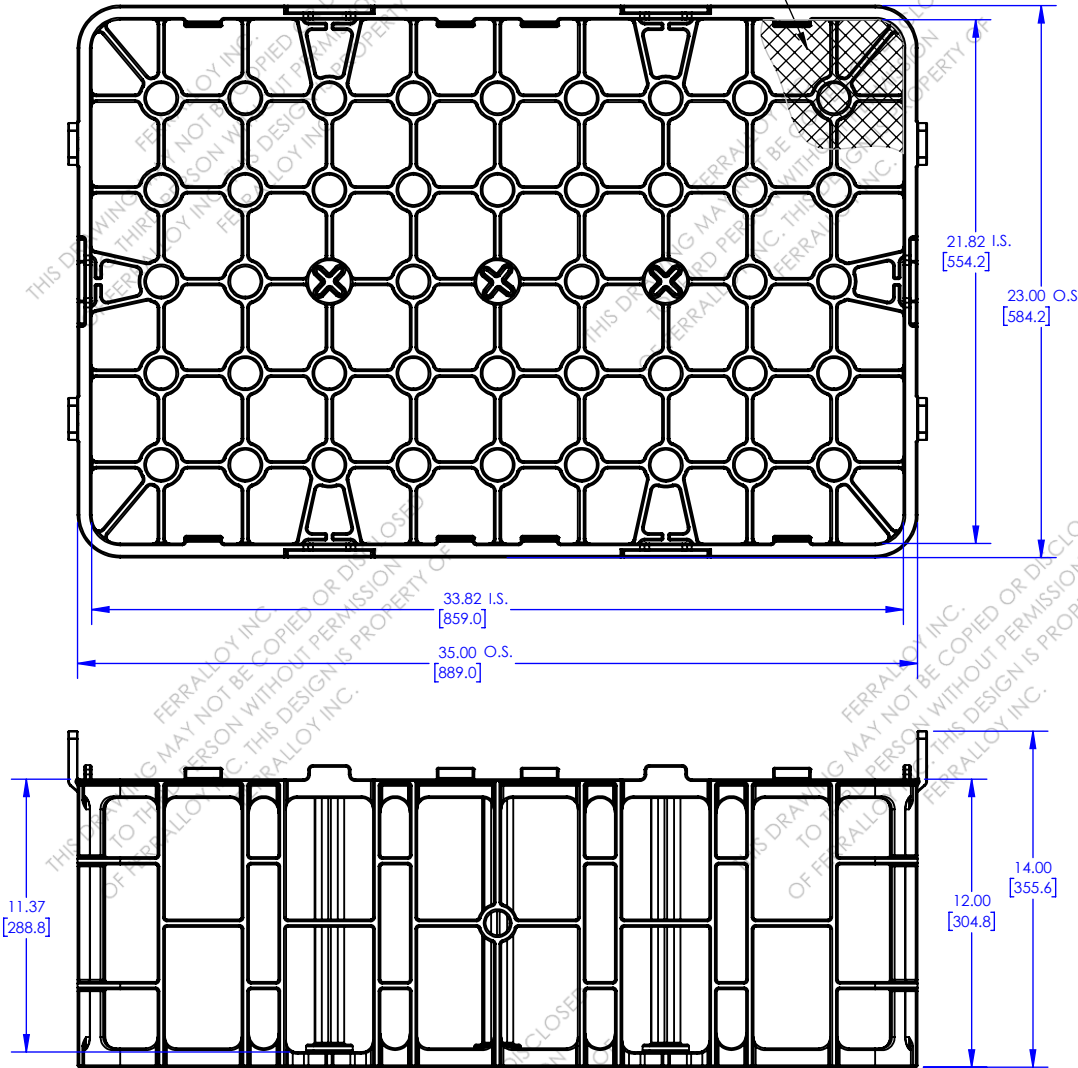
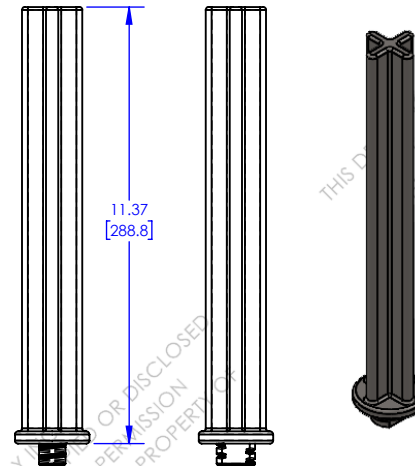
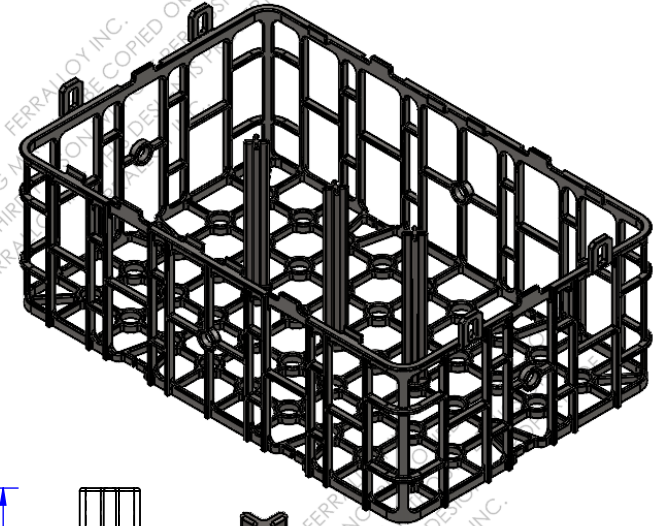


WIRE MESH LINER OR SCREEN (IF REQUIRED)
WITH CLEARANCE HOLES FOR POSTS



REV	DESCRIPTION	Date



CUT FLATS (2) SIDES OF POST THREAD
METRIC THREAD: 25.4 x 6.35

CAST POST DETAIL



NOTES

- 1) REMOVE BURRS AND SHARP EDGES.
- 2) UNSPECIFIED FILLETS & RADII R2-R5.
- 3) WIRE MESH LINER OR SCREEN, IF REQUIRED, TO HAVE CLEARANCE HOLES FOR POSTS.
- 4) CAST WEIGHT ~ 84lbs WITH POSTS.

TOLERANCE UNLESS OTHERWISE NOTED. DOES NOT APPLY TO STOCK SIZES.		MATERIAL		CUST DWG #		DESC.	
FEATURES SIZE OR LOCATION	AS CAST	MACHINED	NOTICE: THIS DRAWING AND THE RELATED ENGINEERING CONTENT CONTAINED HEREIN, IS THE PROPERTY OF FERRALLOY, INC. IT MAY NOT BE COPIED, TRANSFERRED, PUBLISHED OR SHARED WITH ANY OUTSIDE PARTY BEYOND THE PARTY OR PARTIES FOR WHOM IT WAS PRODUCED.	FI-4086	REV	WEIGHT	SureStack Basket 35" x 23" x 12"
UNDER 24"	±1/16"	±.005"				84lbs	
24" - 72"	±1/8"	±.010"		Drawn: CMP	Date: 9/16/2022	SCALE: 1:8	SHEET 1 OF 1
OVER 72"	±3/16"	±.015"					