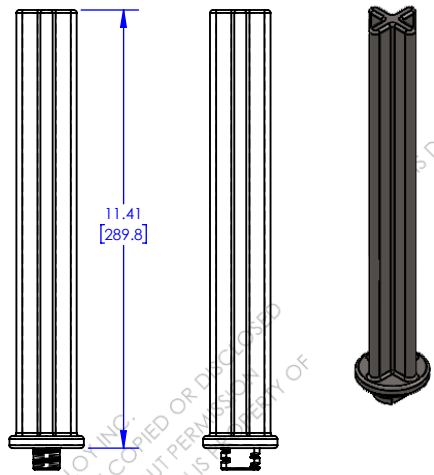
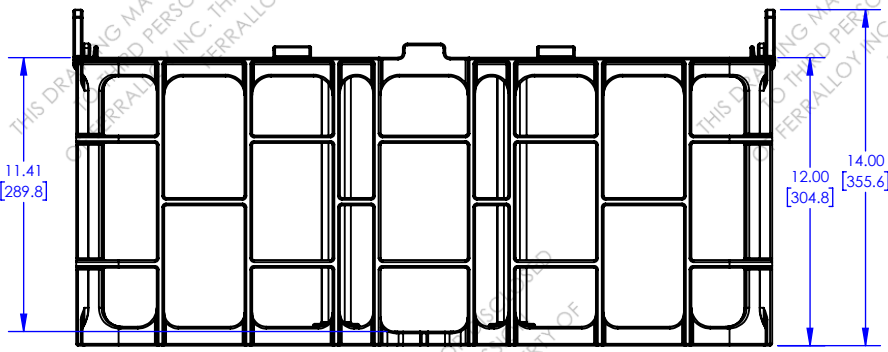
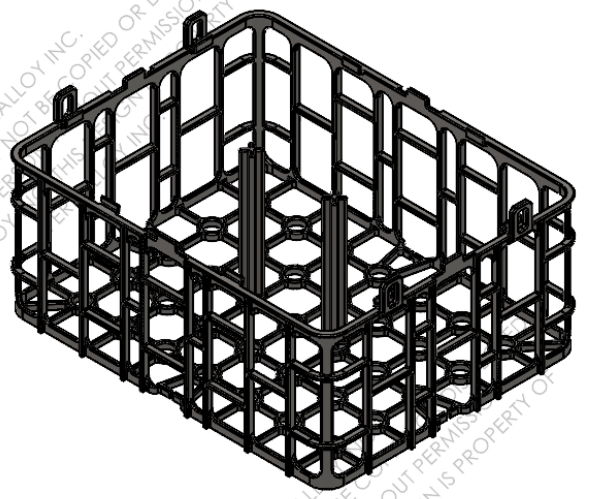
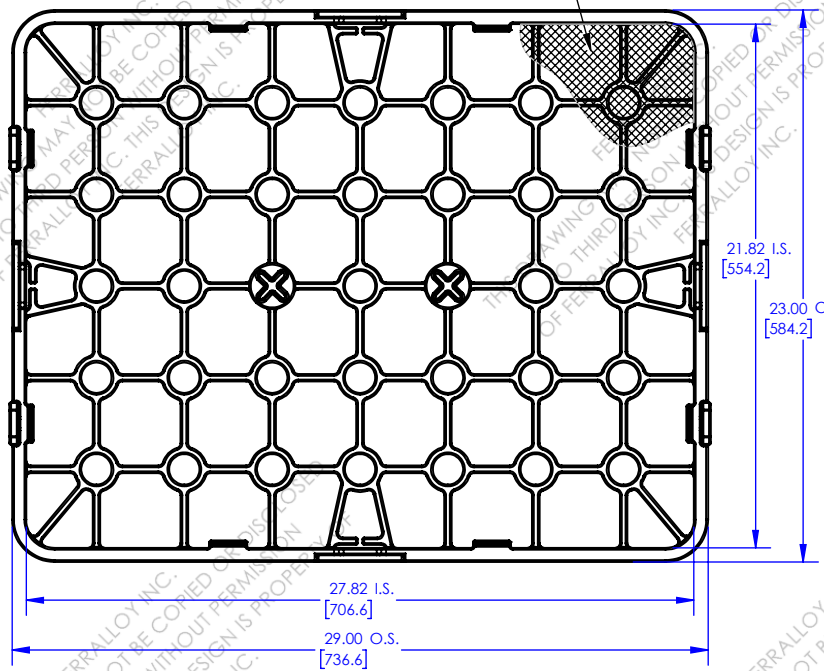


REV	DESCRIPTION	Date

WIRE MESH LINER OR SCREEN (IF REQUIRED)  
WITH CLEARANCE HOLES FOR POSTS



CUT FLATS (2) SIDES OF POST THREAD  
METRIC THREAD: 25.4 x 6.35

CAST POST DETAIL

NOTES

- 1) REMOVE BURRS AND SHARP EDGES.
- 2) UNSPECIFIED FILLETS & RADII R2-R5.
- 3) WIRE MESH LINER OR SCREEN, IF REQUIRED, TO HAVE CLEARANCE HOLES FOR POSTS.
- 4) CAST WEIGHT ~ 69lbs WITH POSTS.



**FERRALLOY**  
Ferralloy, Inc.  
28001 Ranney Pkwy  
Cleveland, OH 44145  
440.250.1900  
www.ferralloy.com

MATERIAL	CUST DWG #	DESC. SureStack Basket 29" x 23" x 12"	
	DWG #	REV	WEIGHT
	FI-4098		69lbs
Drawn: CMP	Date: 9/08/2022	SCALE: 1:8	SHEET 1 OF 1

FEATURES SIZE OR LOCATION	TOLERANCE UNLESS OTHERWISE NOTED. DOES NOT APPLY TO STOCK SIZES.	
	AS CAST	MACHINED
UNDER 24"	±1/16"	±.005"
24" - 72"	±1/8"	±.010"
OVER 72"	±3/16"	±.015"

NOTICE: THIS DRAWING AND THE RELATED ENGINEERING CONTENT CONTAINED HEREIN, IS THE PROPERTY OF FERRALLOY, INC. IT MAY NOT BE COPIED, TRANSFERRED, PUBLISHED OR SHARED WITH ANY OUTSIDE PARTY BEYOND THE PARTY OR PARTIES FOR WHOM IT WAS PRODUCED.